



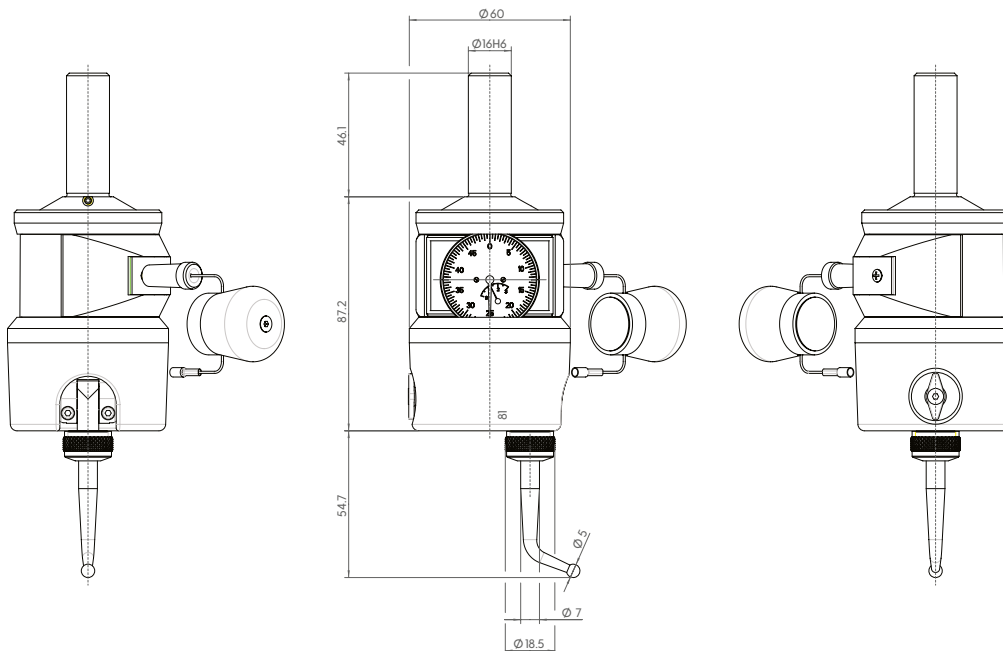
Centricator

Centring device Centricator CO-S

MADE IN GERMANY

The high-precision centre finder Centricator CO-S will allow you to quickly and accurately find the centre of bores or cylindrical workpieces.

Technical drawing



Benefits

- Working accuracy of 5 μm
- With fixed clamping shank, \varnothing 16 mm
- Dial gauge with scale value of 0.005 mm
- 1 probe tip with ball \varnothing 5 mm (for bore)
- 1 probe tip bent with ball \varnothing 5 mm (for shaft)

Item number

- Haff & Schneider Art. No. 130160

Technical Data

- Measuring accuracy of dial gauge: 0.005 mm
- Inside touch probe range \varnothing : 2 – 125 mm
- Outside touch probe range \varnothing : 0 – 125 mm
- Flat faces: 120 – 160 mm
- Inside probe depth: 40 – 55 mm
- Outside probe depth: 40 – 55 mm
- Dimensions: Length 141.9 mm, \varnothing 60 mm
- Weight: 600 g

Accessories

- Probe tip bent with ball \varnothing 5 mm: Art. No. 130171
- Probe tip with ball \varnothing 5 mm straight: Art. No. 130240
- Probe tip with ball \varnothing 1.6 mm straight: Art. No. 130688
- Edge finder: Art. No. 130678