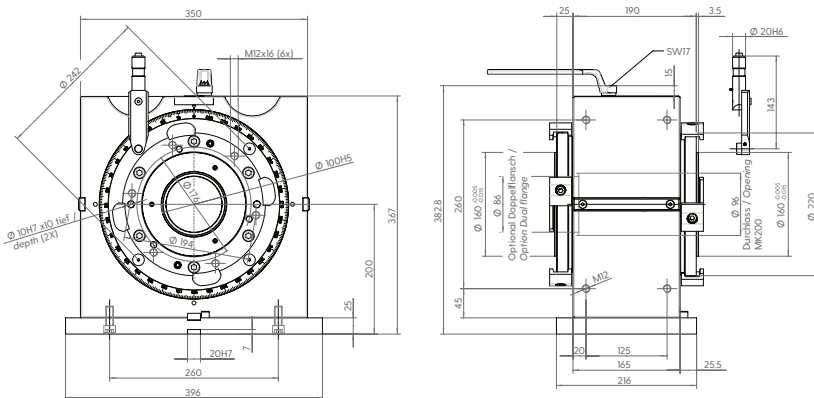


## Dividing head Rotoklick MK 200

MADE IN GERMANY

Our dividing head Rotoklick MK 200 is quick and easy to use, allowing efficient, machine-independent machining from several sides.

## Technical drawing



## Applications examples



Multi-side machining of plastic parts with double clamping

## Benefits

- Cost-efficient multi-side machining
- Machine-independent
- High holding torque by way of positive locking mechanism
- Manual or automatic division using the machine spindle
- 360-X-1° partition
- Clamp 2 workpieces simultaneously by using dual flange
- 5-side machining without counter support
- Bar machining by way of hollow spindle
- For horizontal and vertical use
- Fast retooling by way of flange wedge

## Technical Data

- Partitioning: 360 x 1°
- Centre height: 200 mm, 250 mm with spacers
- Mounting diameter: Ø 160 mm
- Precision hole: Ø 96H6, depth of 10 mm
- Through-hole: Rotoklick 200 Ø 96, Rotoklick 200 dual flange Ø 86
- Locking: positive mechanical (automatic)
- Indexing accuracy: 10 arc seconds
- Holding torque: 3000 Nm
- Weight: ca. 90 kg
- Option: Dual flange

## Item number

- Haff & Schneider Art. No. 71-05250-200
  - Art. No. 71-05250-200 DF (with dual flange)
- Also available as Rotoklick MK 150 version*