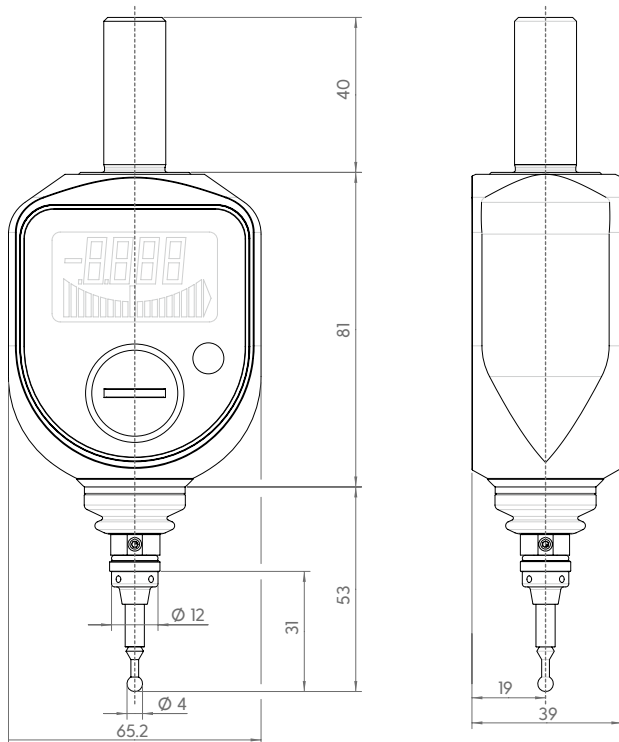


3D Probe Digital

◆ IP65 | MADE IN GERMANY | PATENT

Our patented digital 3D probe reduces setup times and downtimes by quickly and accurately probing reference edges, setting zero points and measuring workpieces.

Technical drawing



Benefits

- High precision
- Independent of control
- Easy-to-read combined display
- Comfortable and simple concentricity adjustment
- Large working area in all directions
- Shock proof and water proof according to IP65
- Compact metal housing and long probe arm
- Stylus with defined breaking point

Item number

- Haff & Schneider Art. No. 106000

Applications examples



Technical Data

- Shaft diameter: 16 mm
- Measuring accuracy: <0.01 mm
- Display accuracy: 0.005 mm
- Dimensions: 82 x 65 x 39 mm
- Available length of probe arm: 40 mm
- Weight: 520 g

Accessories

- Standard probe tip: Art. No. 107323
- Bellow: Art. No. 105451