

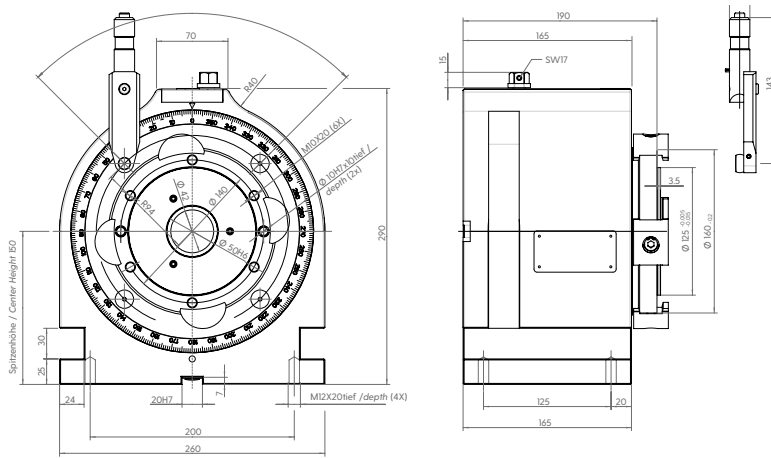


Dividing head Rotoklick MK 150

MADE IN GERMANY

Our dividing head Rotoklick MK 150 is quick and easy to use, allowing efficient, machine-independent machining from several sides.

Technical drawing



Applications examples



Clamping with 8 parts



Triple clamping on rocker

Benefits

- Cost-efficient multi-side machining
- Machine-independent
- High holding torque by way of positive locking mechanism
- Manual or automatic division using the machine spindle
- 360-X-1° partition
- Bar machining by way of hollow spindle
- Fast retooling by way of flange wedge

Technical Data

- Partitioning: 360 x 1°
- Centre height: 150 mm, 200 –250 mm with spacers
- Mounting diameter: Ø 125 mm
- Precision hole: Ø 50H6, depth of 10 mm
- Through-hole: Ø 43 mm
- Locking: positive mechanical, (automatic)
- Indexing accuracy: 10 arc seconds
- Holding torque: 2000 Nm
- Weight: ca. 37 kg

Item number

- Haff & Schneider Art. No. 71-05250
Also available as Rotoklick MK 200 version