

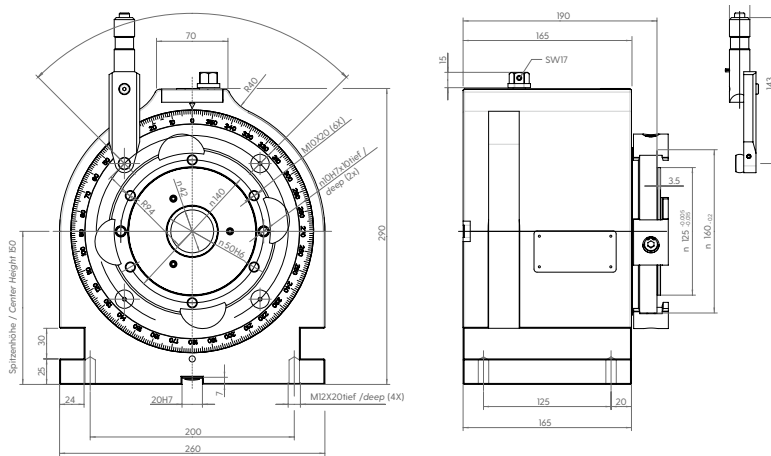


## Dividing head Rotoklick 150

MADE IN GERMANY

Our dividing head Rotoklick 150 is quick and easy to use, allowing efficient, machine-independent machining from several sides.

## Technical drawing



## Applications examples



Clamping with 8 parts



Triple clamping on rocker

## Benefits

- Cost-efficient multi-side machining
- Machine-independent
- High holding torque by way of positive locking mechanism
- Manual or automatic division using the machine spindle
- 360-X-1° partition
- Bar machining by way of hollow spindle
- Fast retooling by way of flange wedge

## Technical Data

- Partitioning: 360 x 1°
- Centre height: 150 mm, 200 mm with spacers
- Mounting diameter: D = 125 mm
- Precision hole: D = 50H6, depth of 10 mm
- Through-hole: D = 43 mm
- Locking: positive, mechanical, automatic
- Indexing accuracy: 10 arc seconds
- Recommended feed for dividing: up to 15m/min, depending on the mass moved
- Holding torque: 3000 Nm
- Weight: ca. 37 kg

## Item number

- Haff & Schneider Art. No. 71-05250  
Also available as Rotoklick 200 version